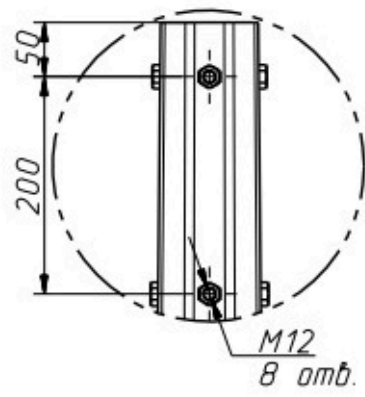


A (1:5)



B (1:5)

